

THE
BROADMOOR

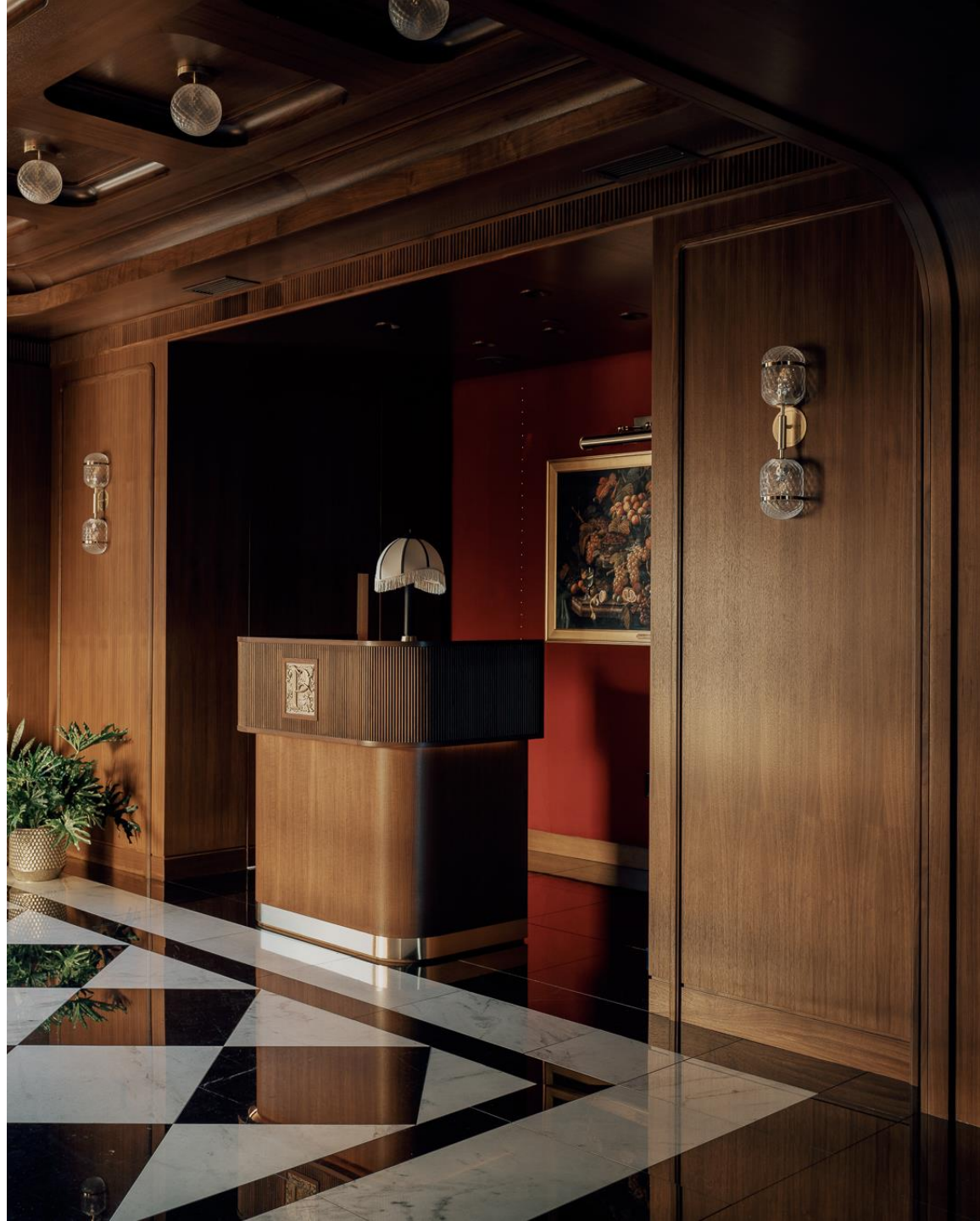


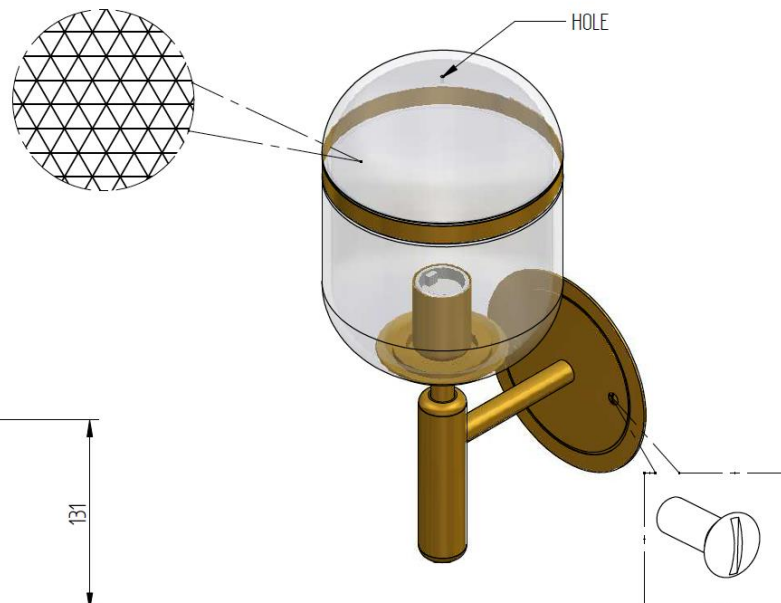
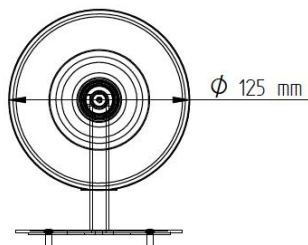
The PENROSE *Room*

TIHANY
DESIGN

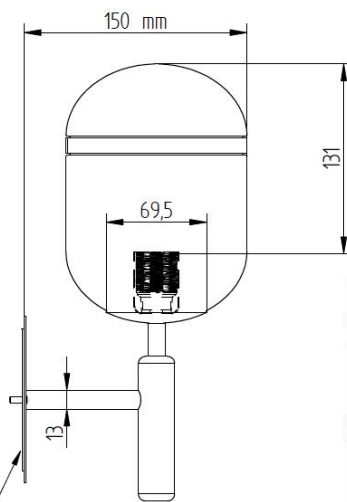
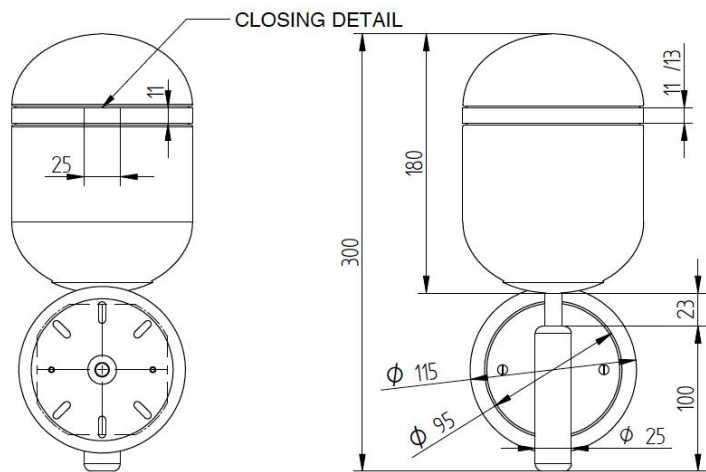




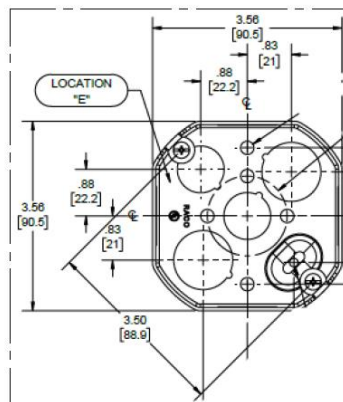




BACK VIEW



JUNCTION BOX
ADAPTOR



OCTAGONAL JB 4"



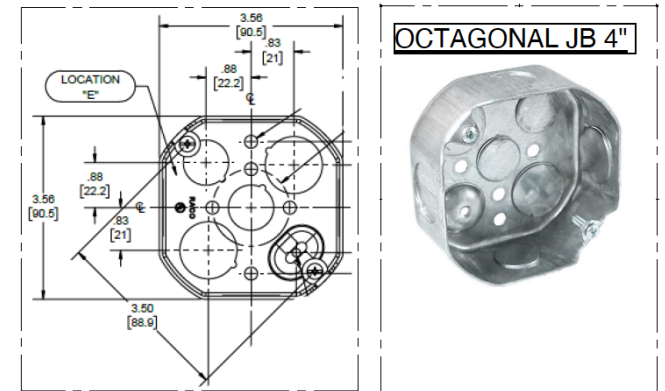
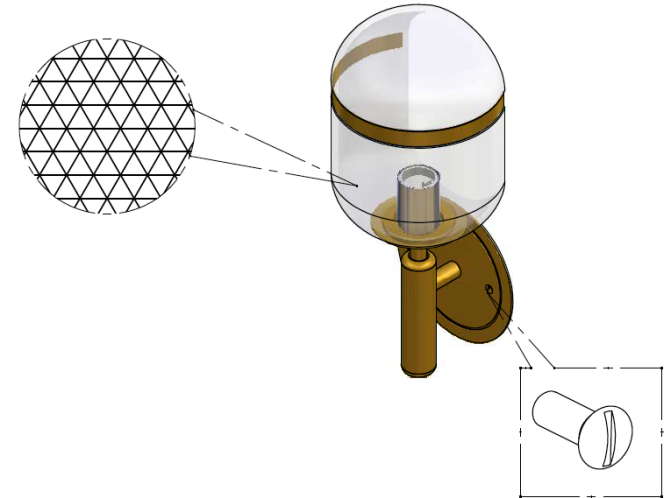
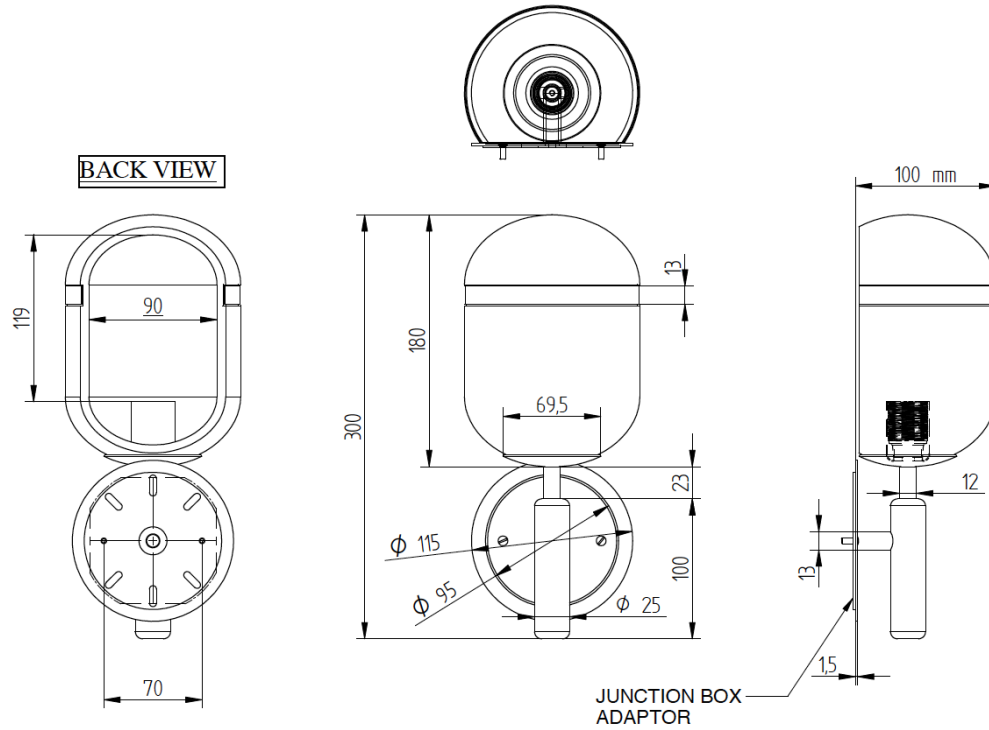
FAMILY: CUSTOM RST-102
799XXX
LAMP E12 8W MAX

V102

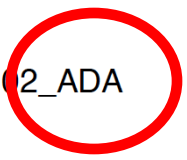
Per Accettazione / To Accept:

Firma / Signature: _____

Date: 14/02/25



FAMILY: CUSTOM RST-102_ADA
799XXX
LAMP E12 8W MAX

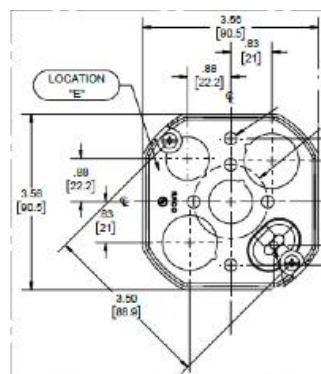
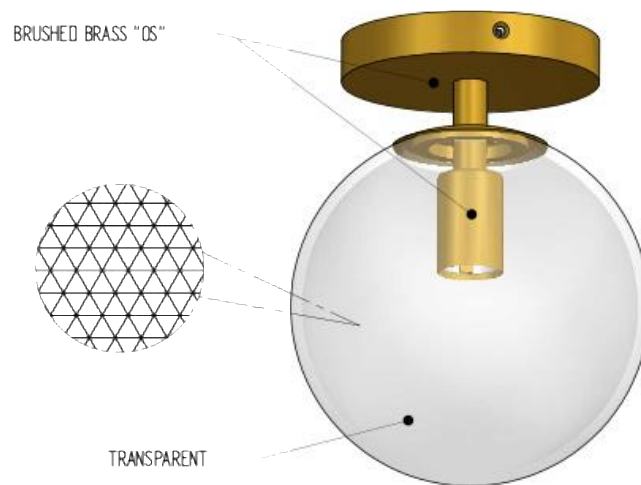
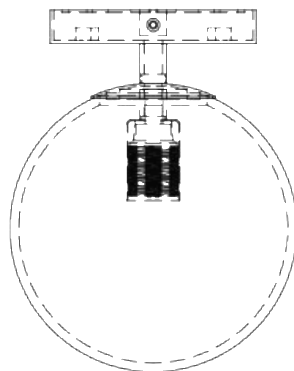
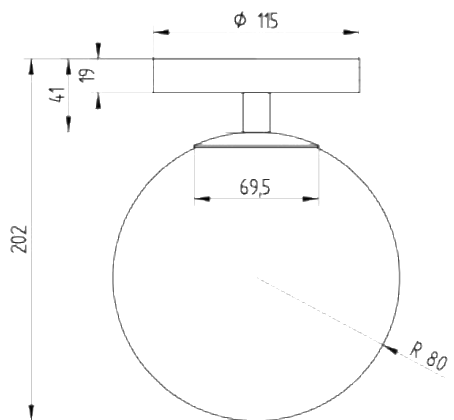
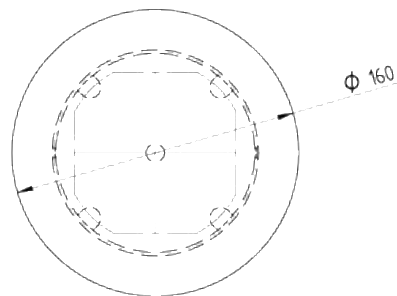


V102

Per Accettazione / To Accept:

Firma / Signature: _____

Date: 14/02/25



V102

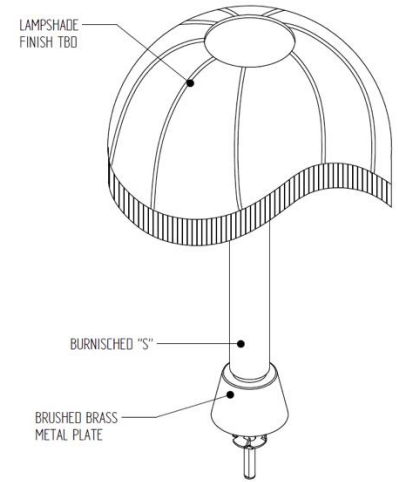
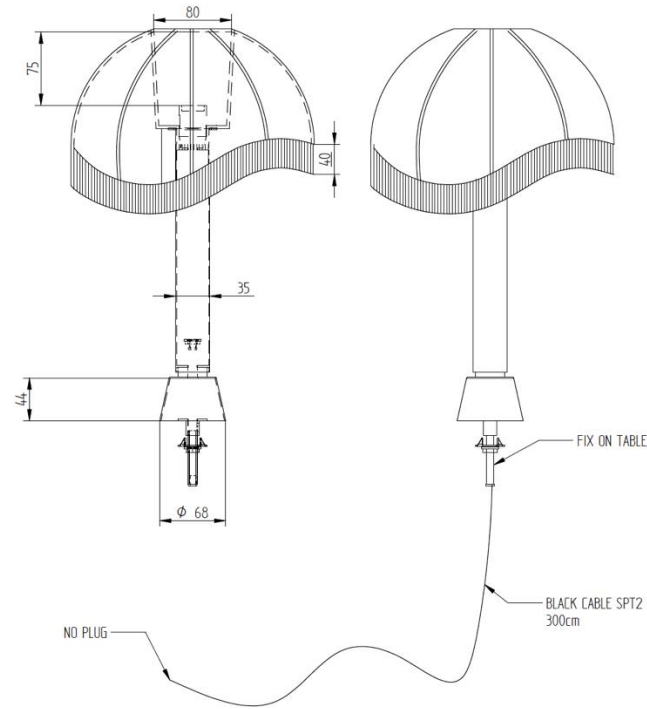
SOLUTION B_GENERAL COVERAGE UL

FAMILY: CUSTOM RST-115
79901502
LAMP E12 25W MAX

Per Accettazione / To Accept:

Firma / Signature: _____

Date: 14/02/25



FAMILY: CUSTOM RST-150
799XXX
LAMP E12 8W LED MAX

V102

Per Accettazione / To Accept:

Firma / Signature: _____

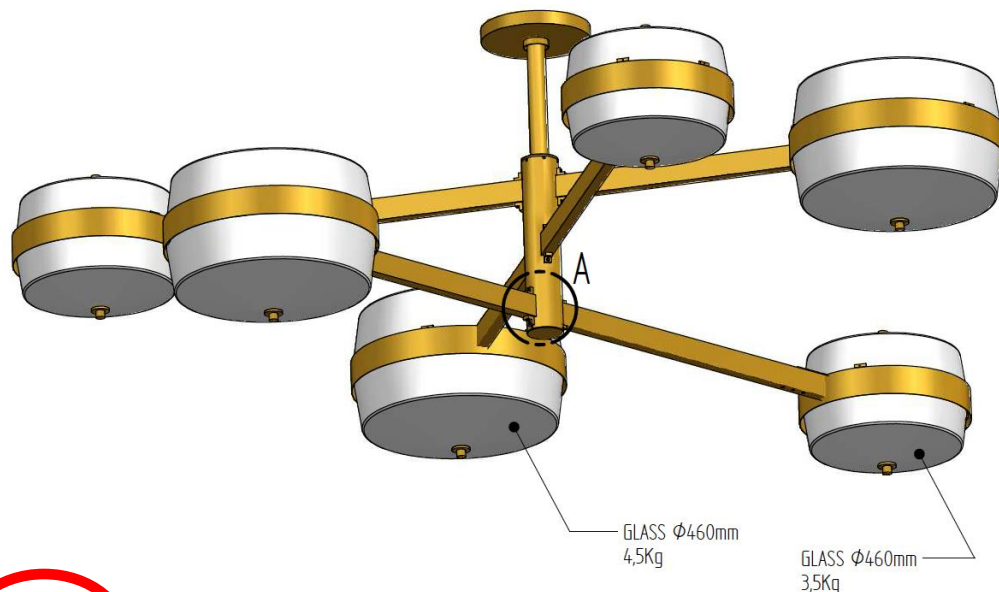
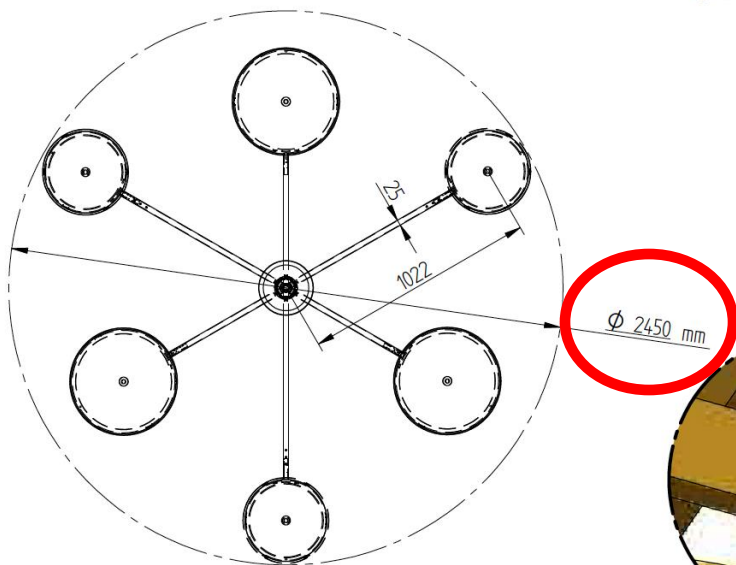
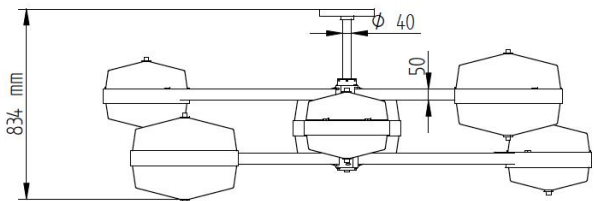
Date: 14/02/25



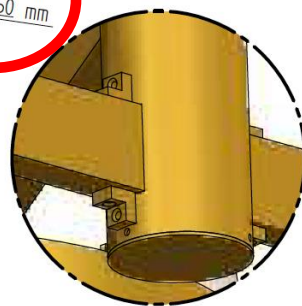








EXTIMATED WEIGHT 100KG



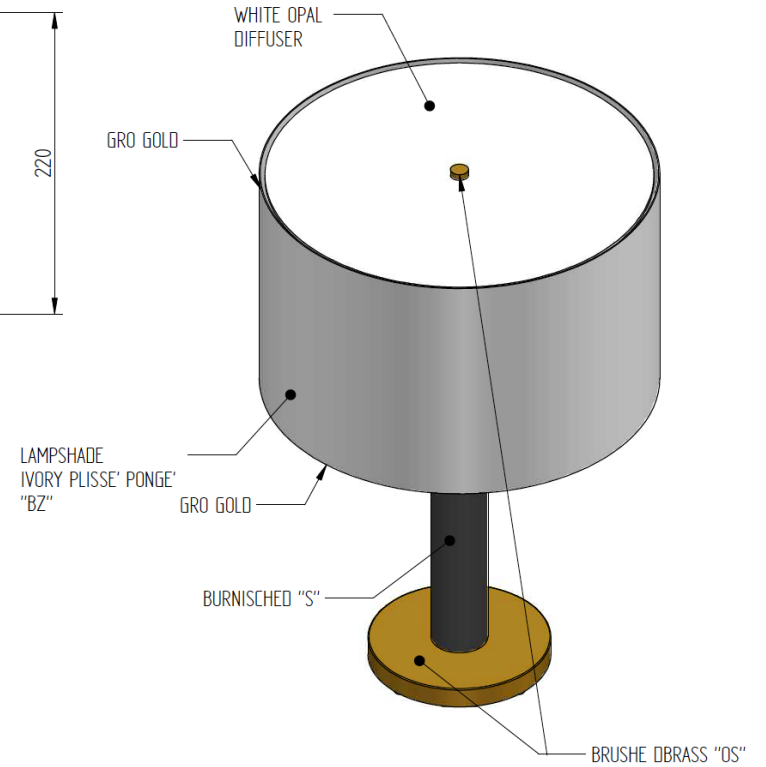
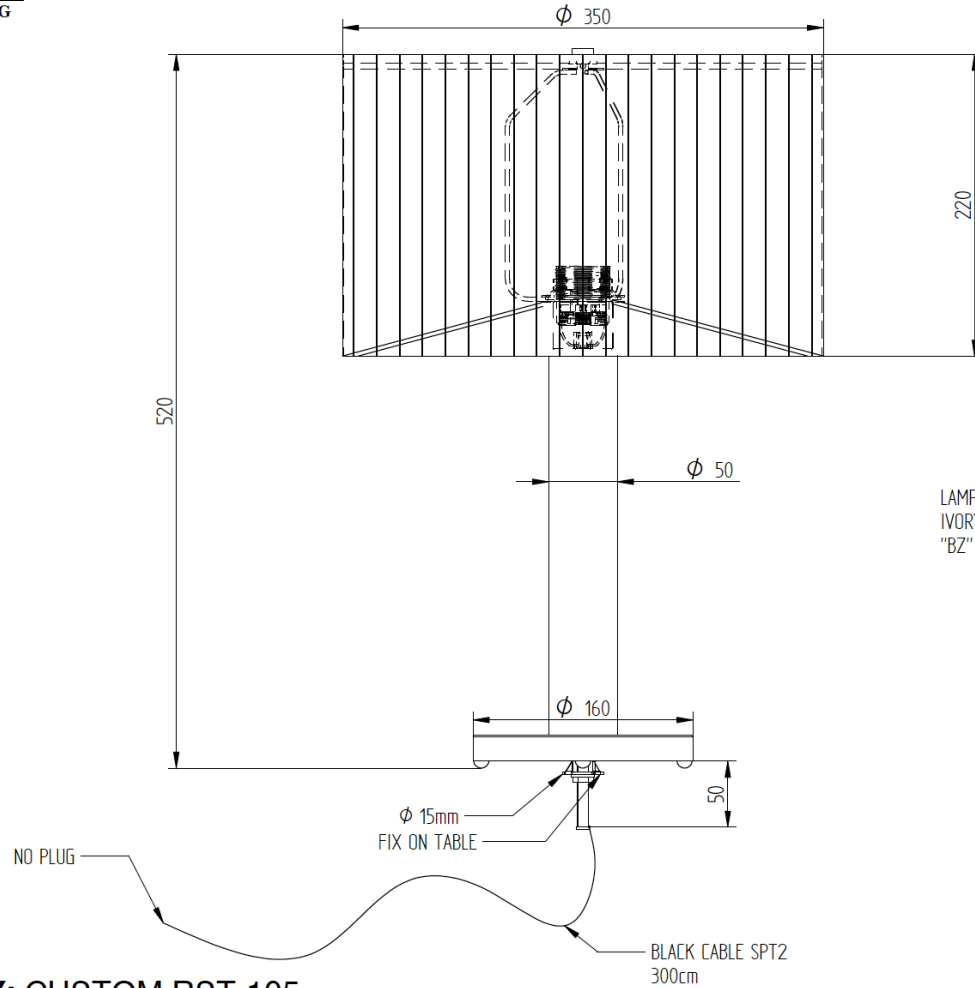
DET. A

FAMILY: CUSTOM RST-104
799XXX
LAMP E26 12x8W MAX

Per Accettazione / To Accept:

Firma / Signature: _____

Date: / /



V102

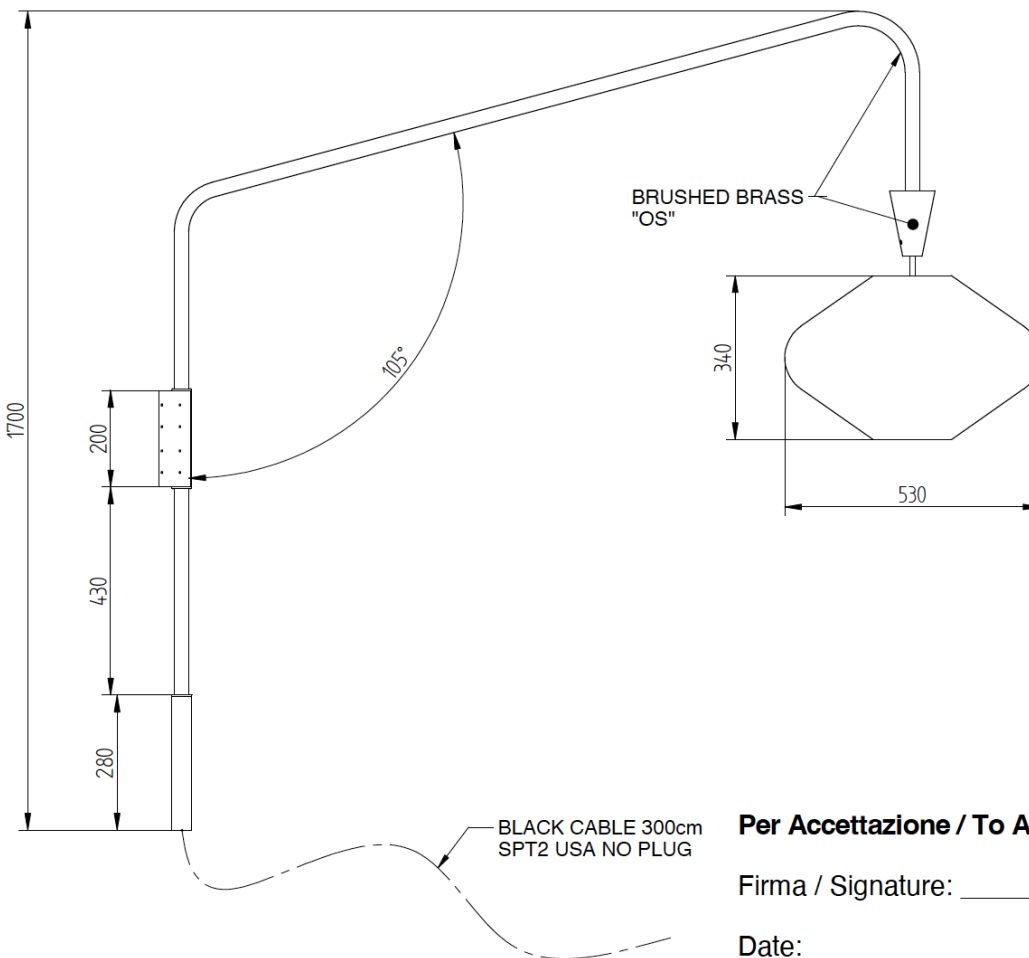
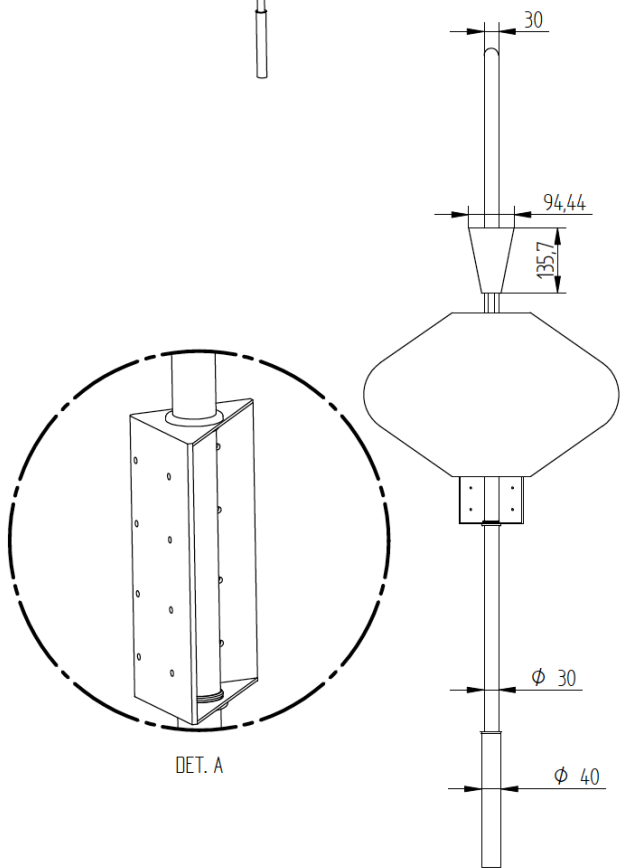
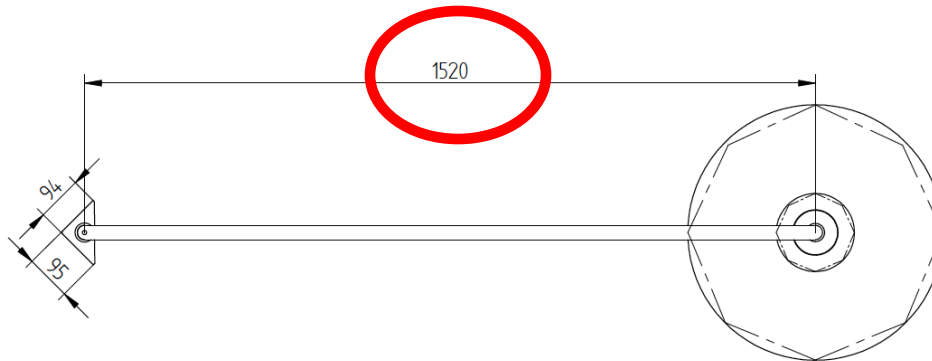
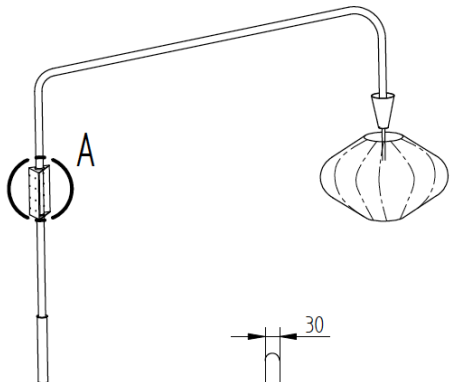
Per Accettazione / To Accept:

Firma / Signature: _____

Date: 14/02/25

FAMILY: CUSTOM RST-105
799XXX
LAMP E26 10W LED MAX





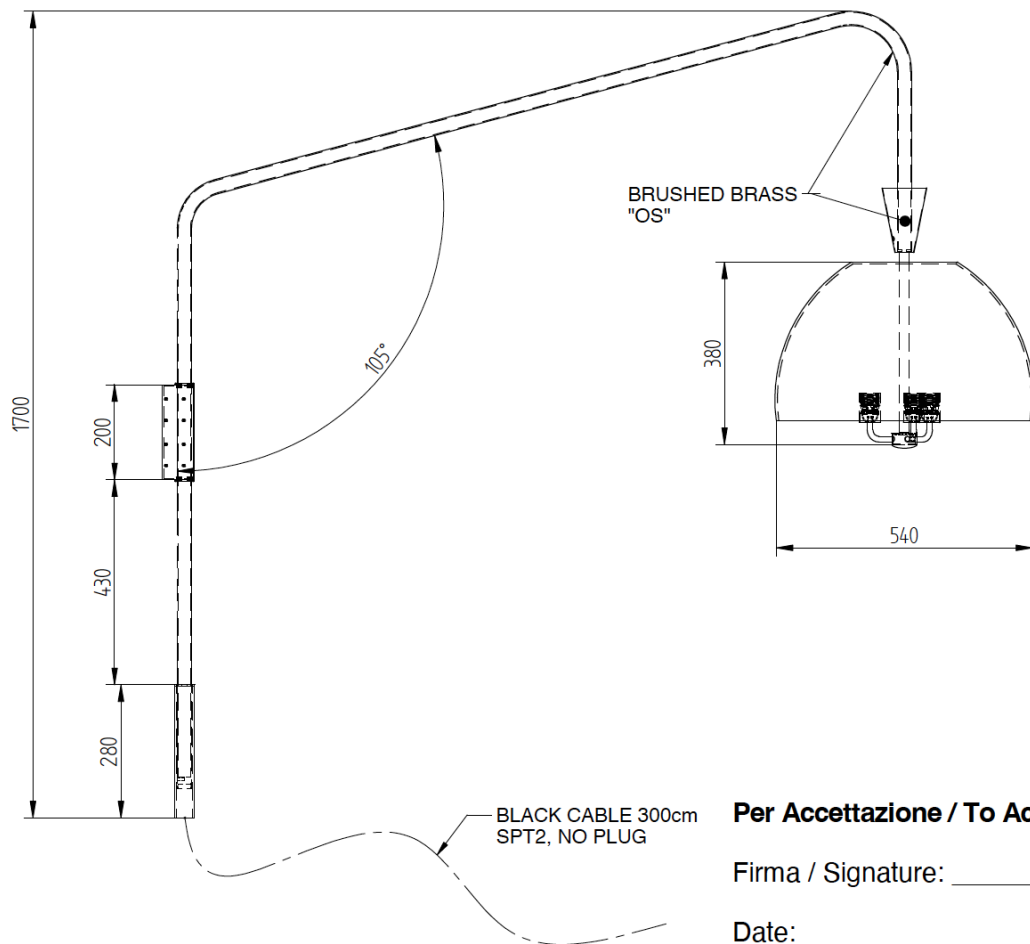
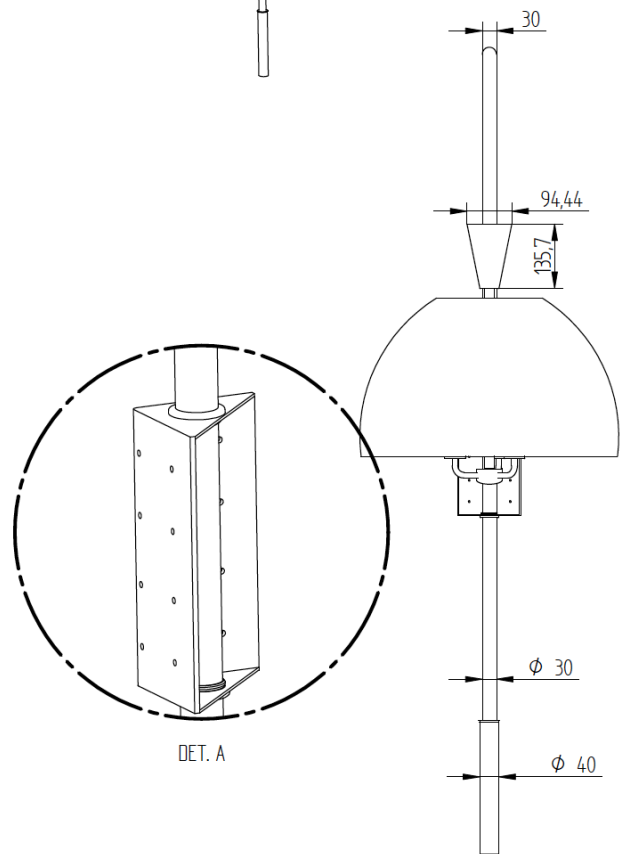
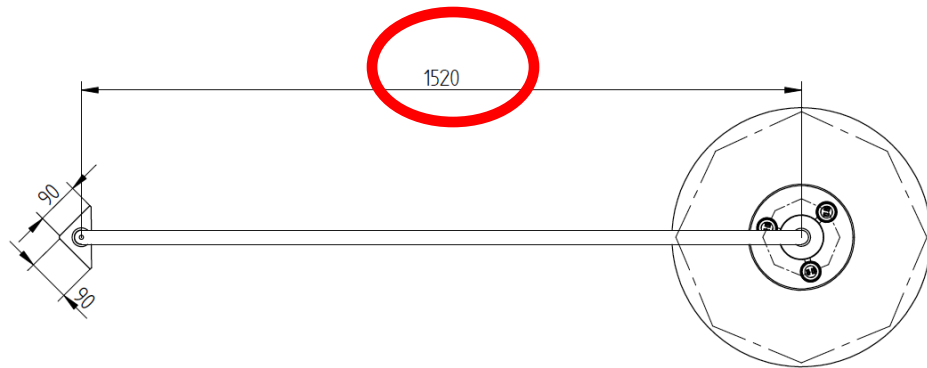
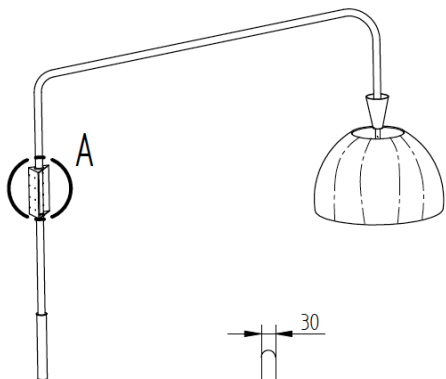
FAMILY: CUSTOM RST-106A
799XXX
LAMP E26 10W LED MAX

Per Accettazione / To Accept:

Firma / Signature: _____

Date: ____/____/____





FAMILY: CUSTOM RST-107A
799XXX
LAMP E26 3X8W LED MAX

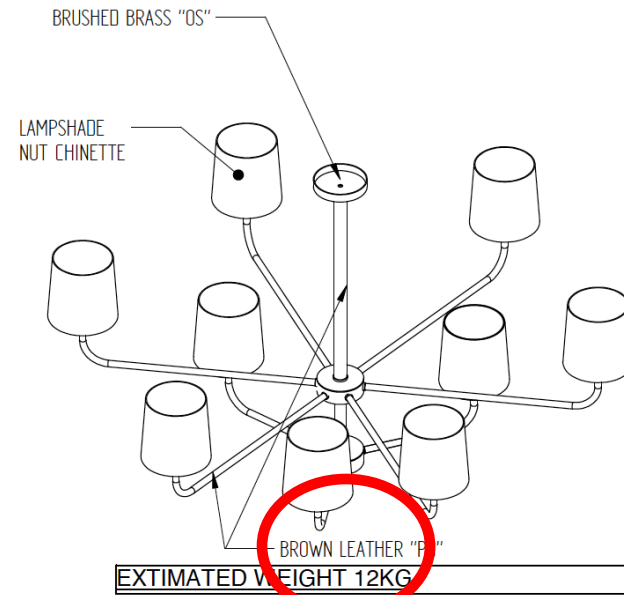
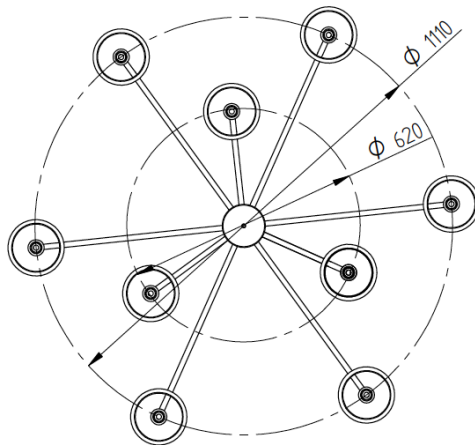
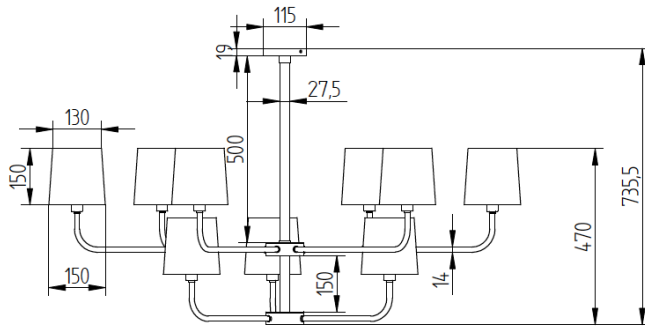
BLACK CABLE 300cm
SPT2, NO PLUG

Per Accettazione / To Accept:

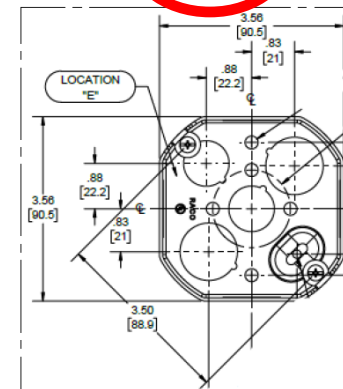
Firma / Signature: _____

Date: ____/____/____





ESTIMATED WEIGHT 12KG



OCTAGONAL JB 4"



FAMILY: CUSTOM RST-110
799XXX
LAMP E12 9x8W MAX

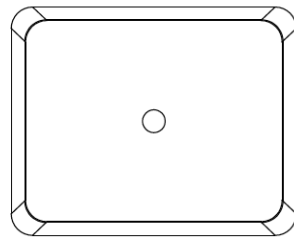
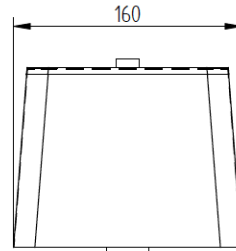
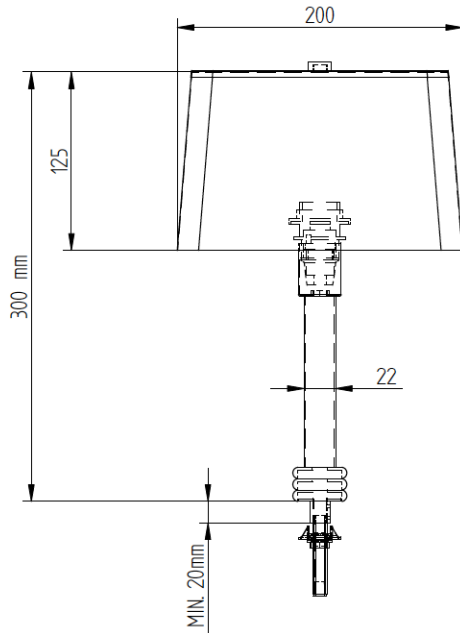
V102

Per Accettazione / To Accept:

Firma / Signature: _____

Date: 14/02/25





NO PLUG

FIX ON TABLE

BLACK CABLE SPT2
300cm

BRUSHED BRASS
METAL PLATE

LAMP SHADE
CHINETTE NUT

BURNISHED "S"

BRUSHED BRASS
"OS"

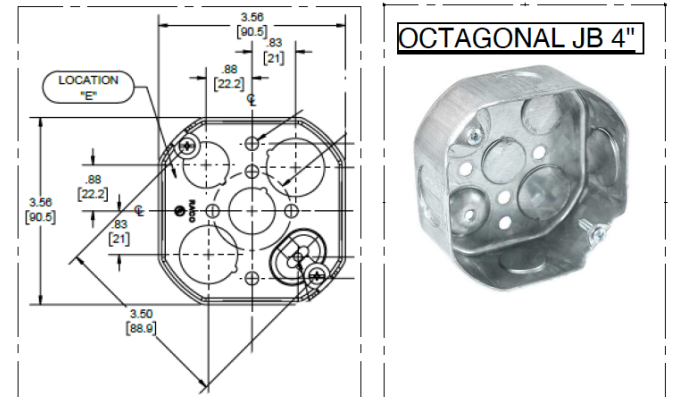
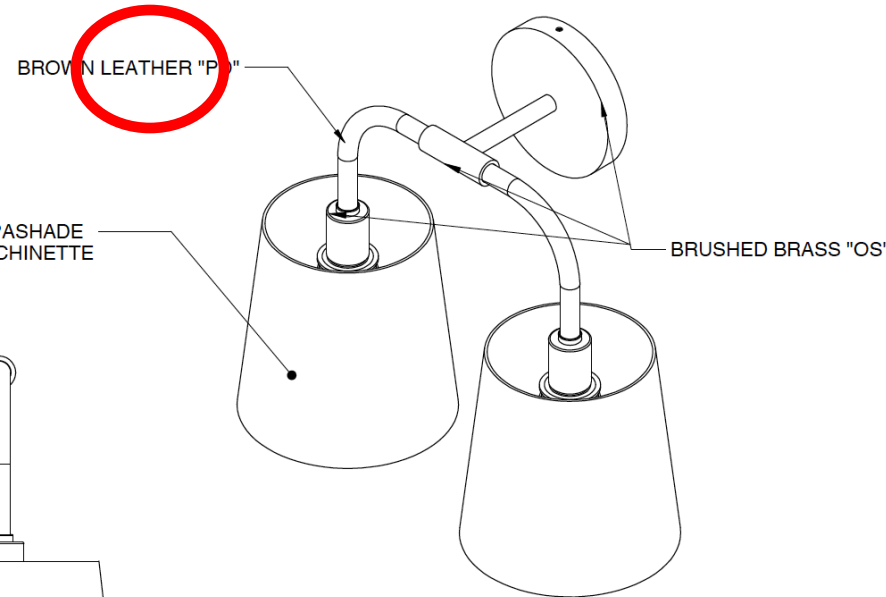
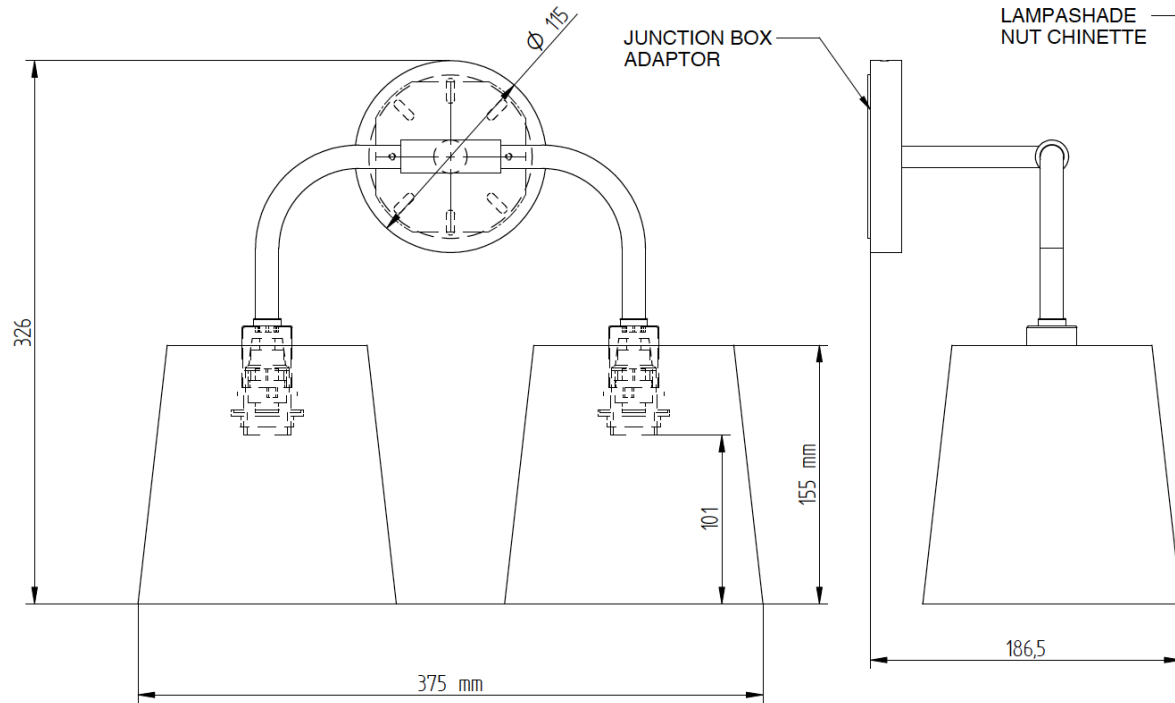
V102

Per Accettazione / To Accept:

Firma / Signature: _____

Date: 14/02/25

FAMILY: CUSTOM RST-111
799XXX
LAMP E12 8W LED MAX



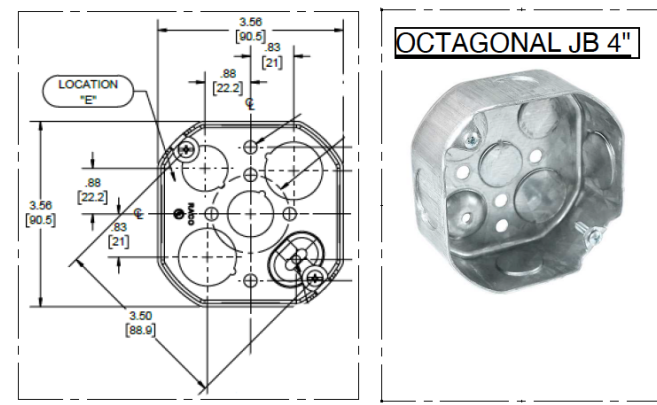
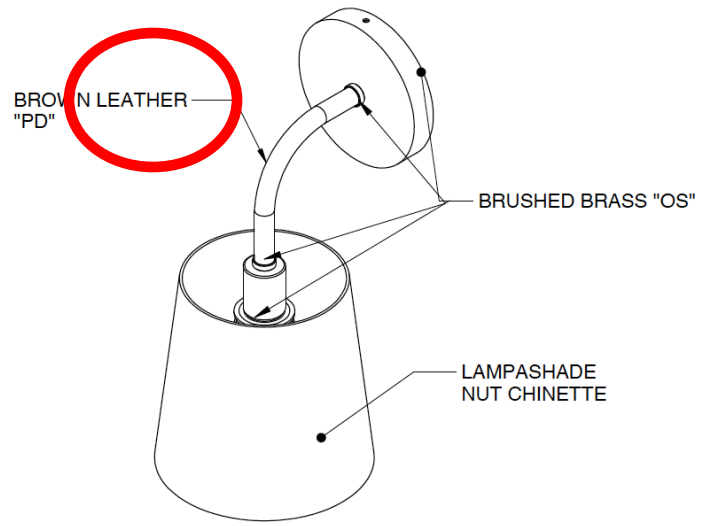
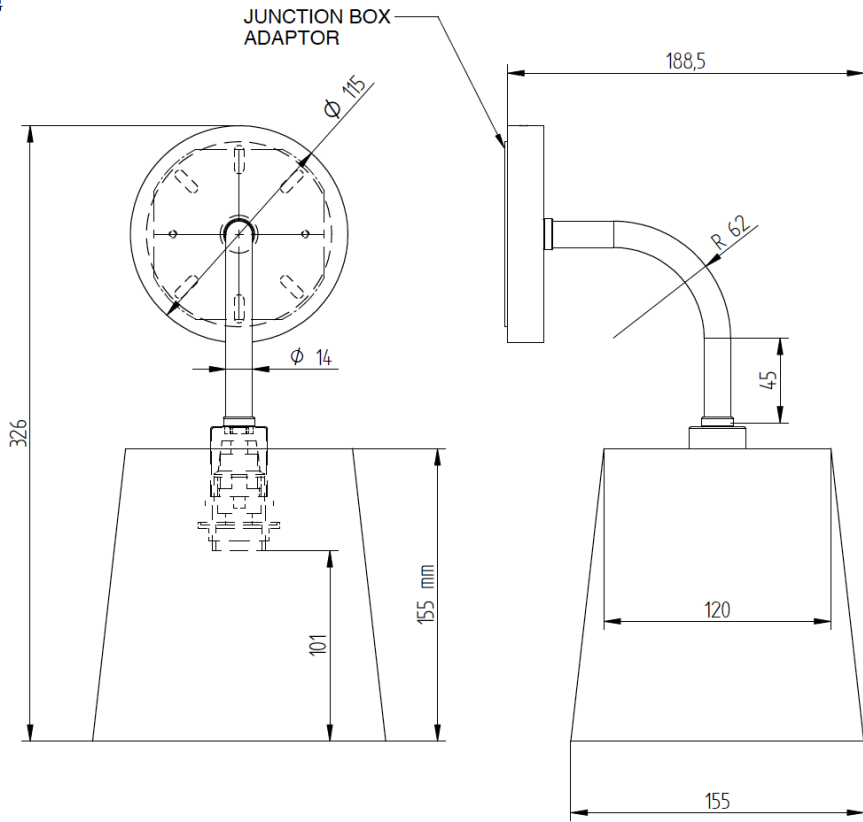
FAMILY: CUSTOM RST-116
799XXX
LAMP E12 2x8W LED MAX

V102

Per Accettazione / To Accept:

Firma / Signature: _____

Date: 14/02/25



FAMILY: CUSTOM RST-109
 799XXX
 LAMP E12 8W LED MAX

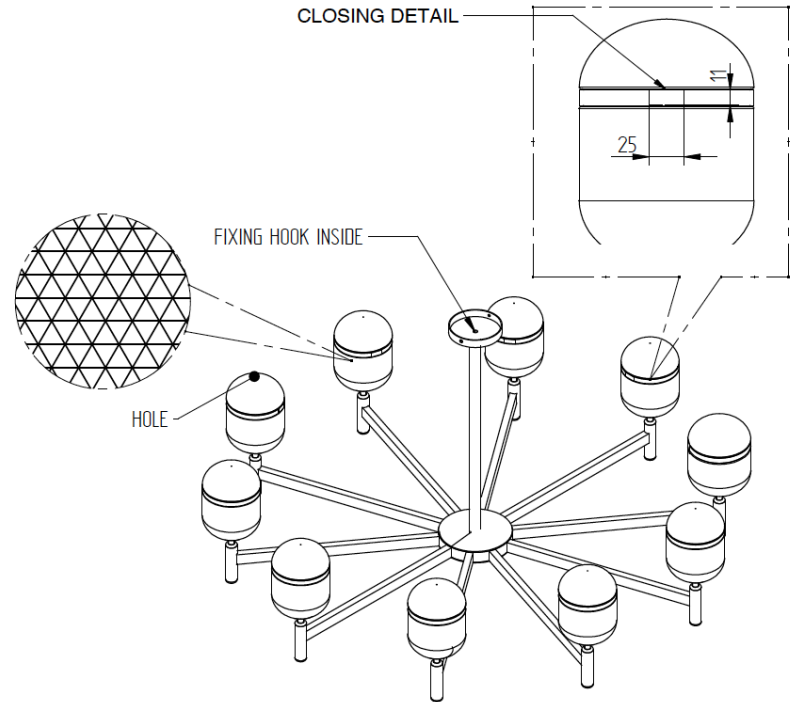
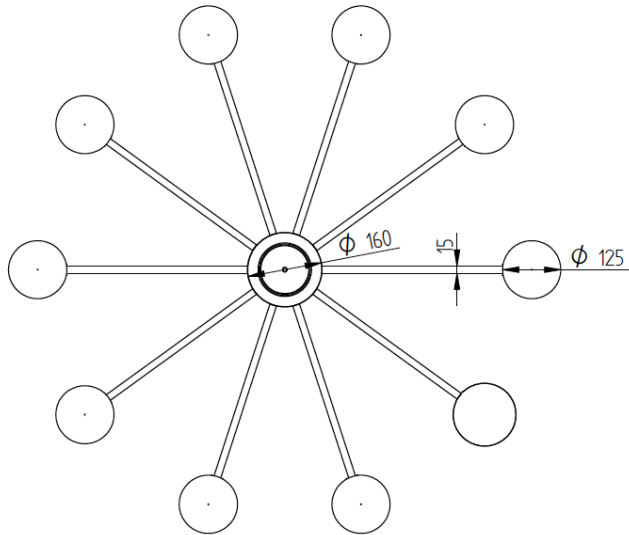
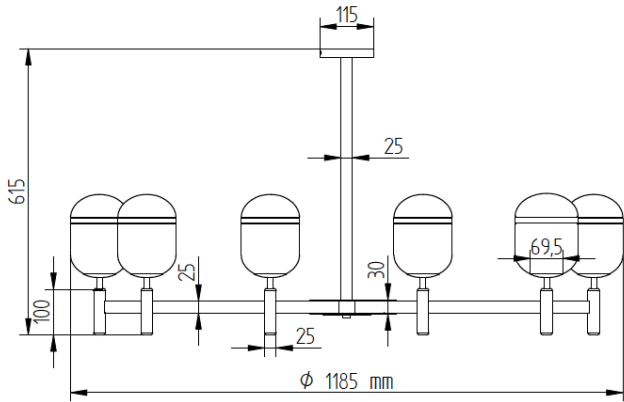
V102

Per Accettazione / To Accept:

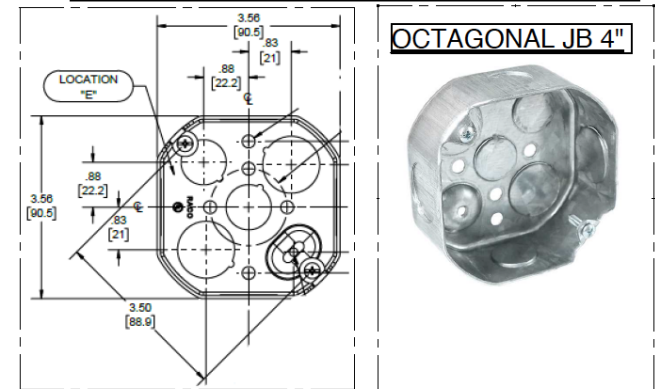
Firma / Signature: _____

Date: 14/02/25





EXTIMATED WEIGHT 25KG



FAMILY: CUSTOM RST-103
799XXX
LAMP E 2 10x8W MAX

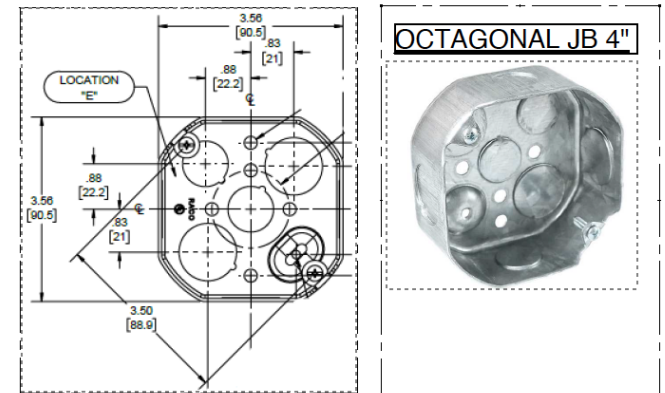
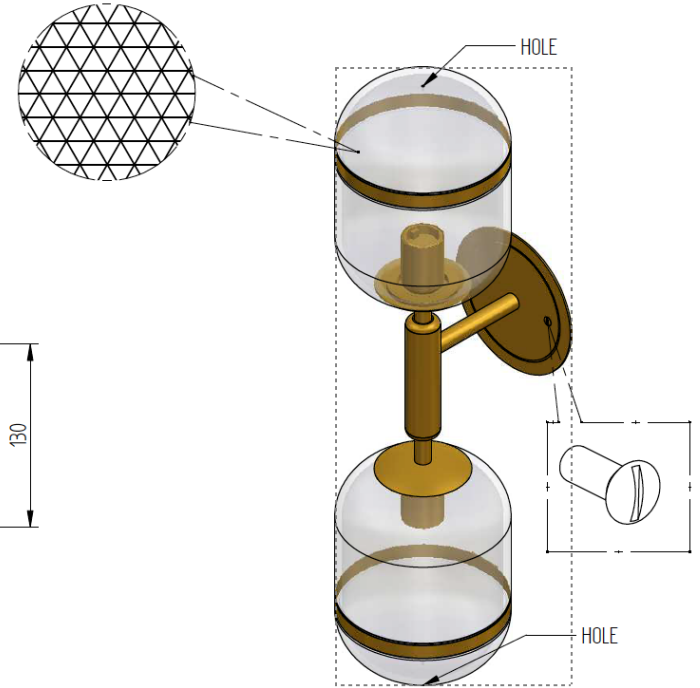
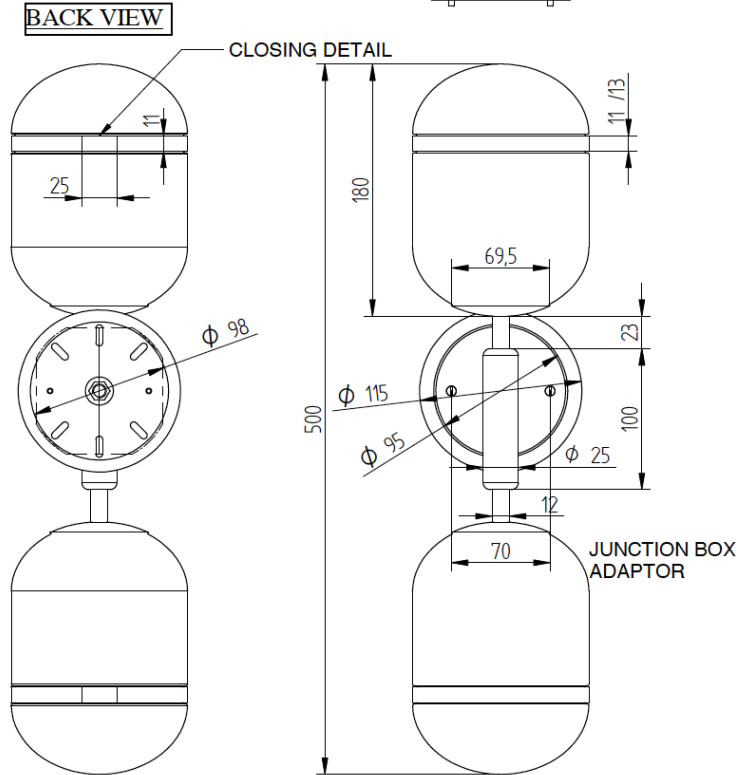
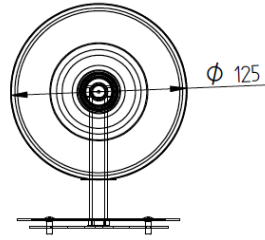
V102

Per Accettazione / To Accept:

Firma / Signature: _____

Date: 14/02/25





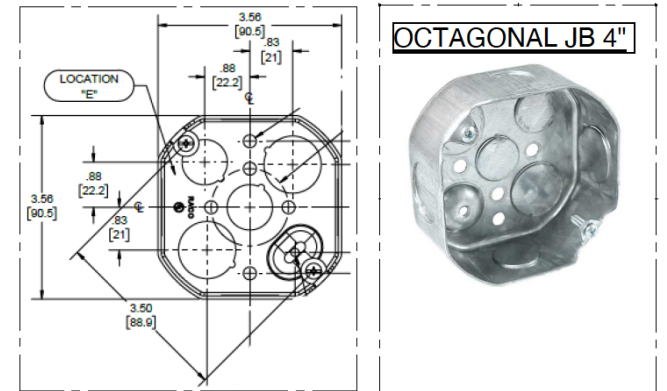
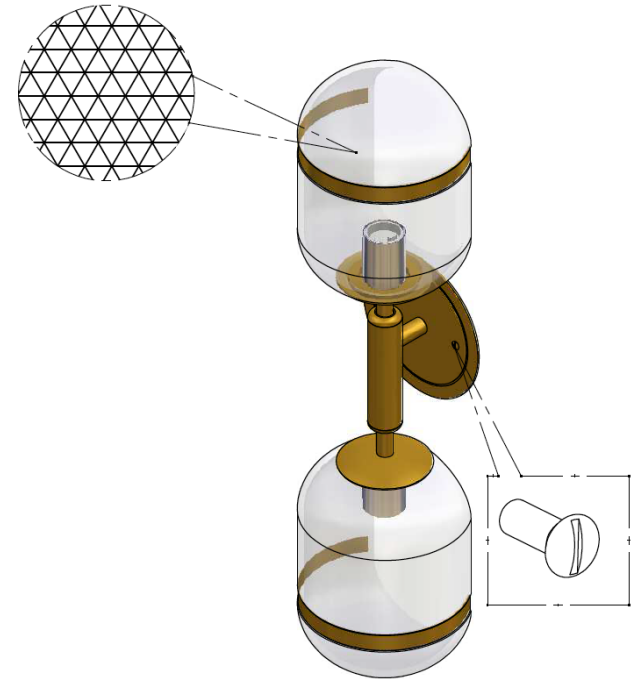
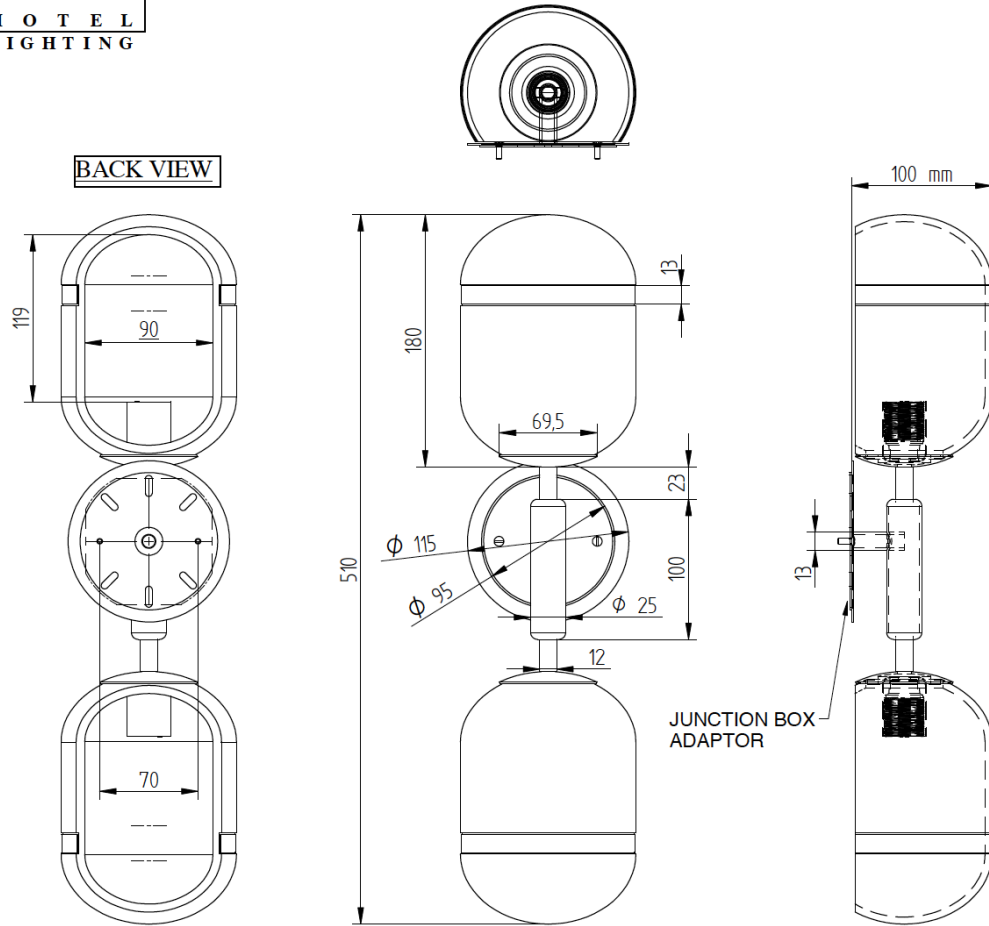
FAMILY: CUSTOM RST-101
799XXX
LAMP E12 2X8W MAX

V102

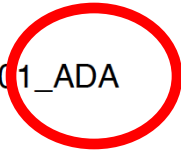
Per Accettazione / To Accept:

Firma / Signature: _____

Date: 14/02/25



FAMILY: CUSTOM RST-101_ADA
799XXX
LAMP E12 2X8W MAX



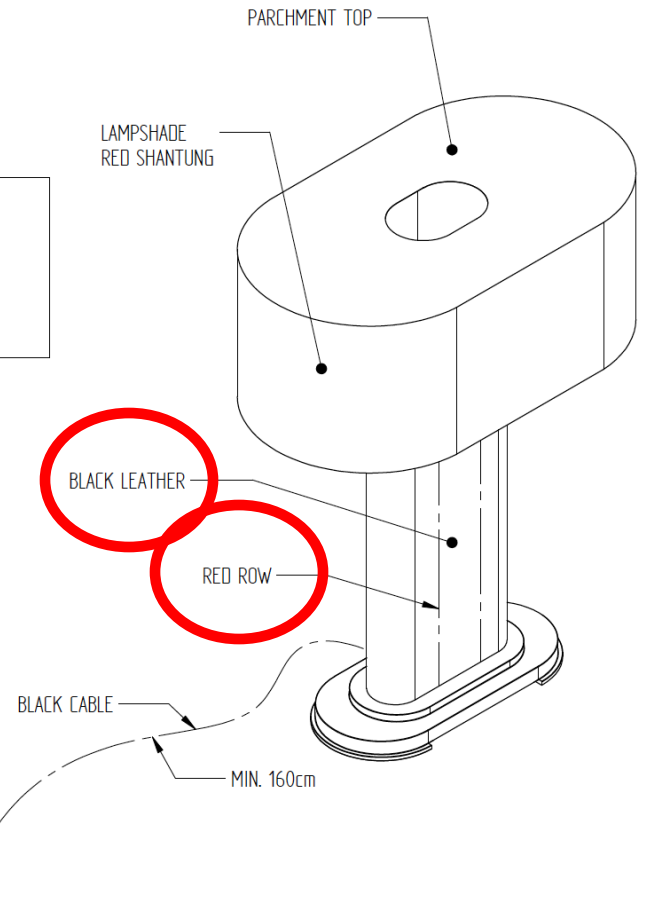
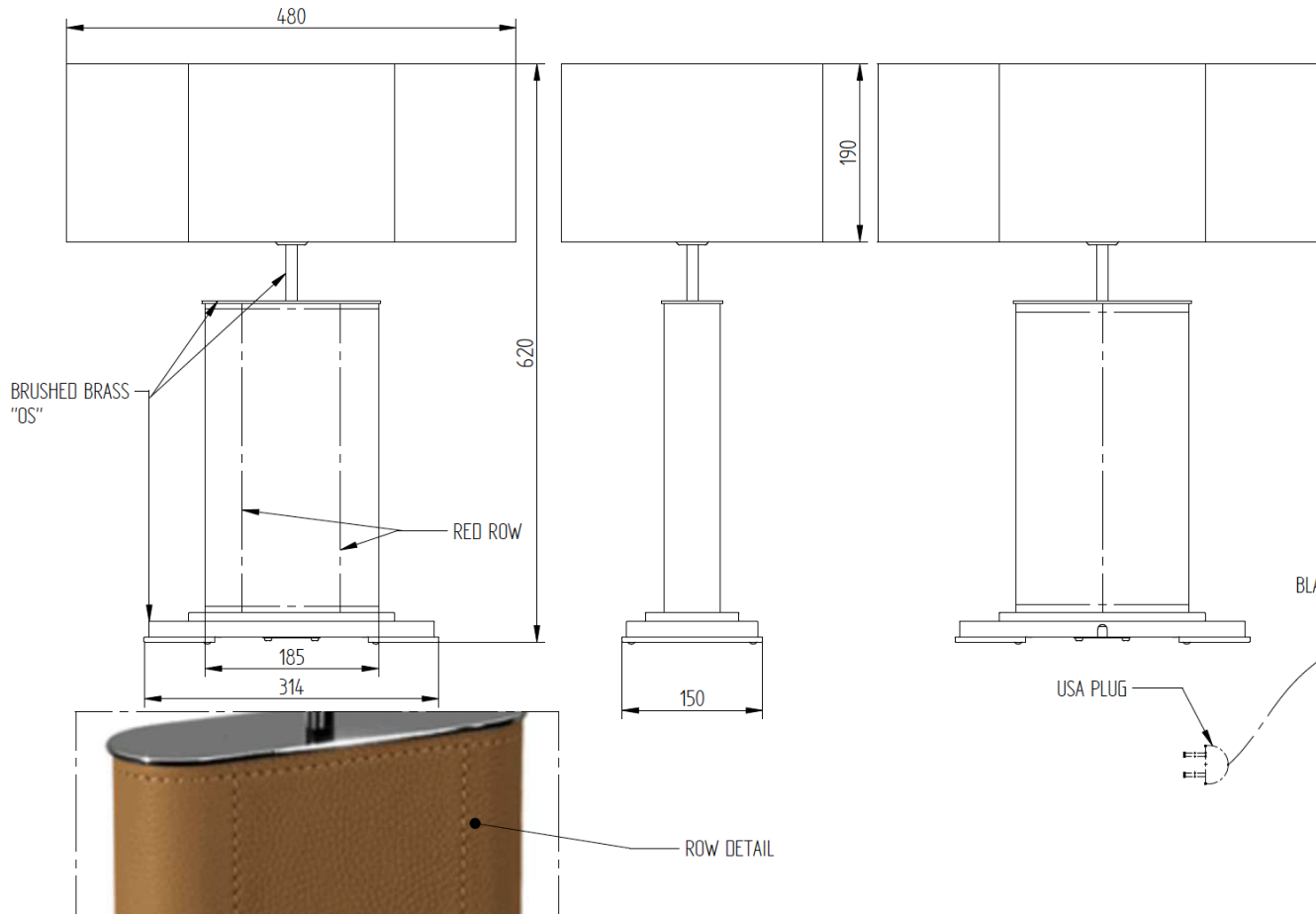
V102

Per Accettazione / To Accept:

Firma / Signature: _____

Date: 14/02/25





V102

FAMILY: CUSTOM RST-151
1M1041XXXX
LAMP E26 12W MAX

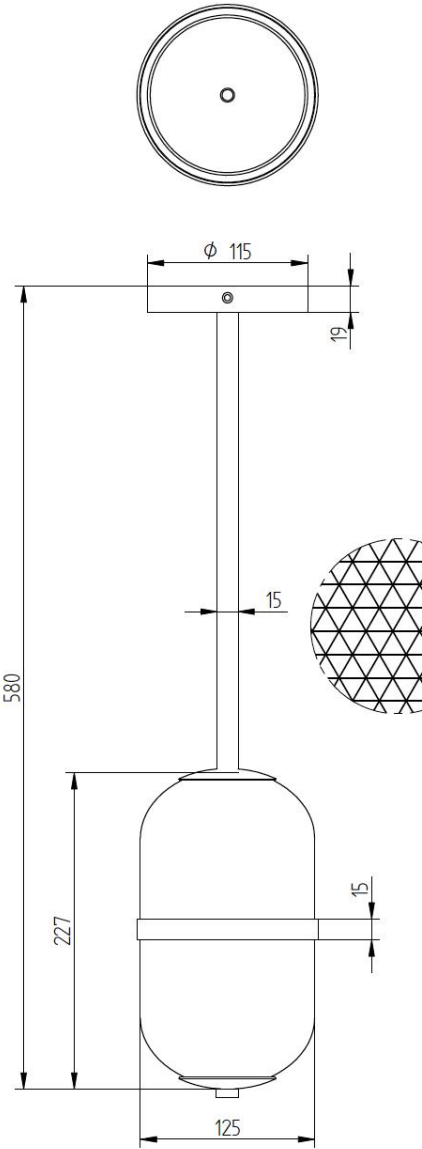
Per Accettazione / To Accept:

Firma / Signature: _____

Date: 14/02/25



MLE
HOTEL
LIGHTING



FAMILY: CUSTOM RST-108
799XXX
LAMP E12 10W MAX

